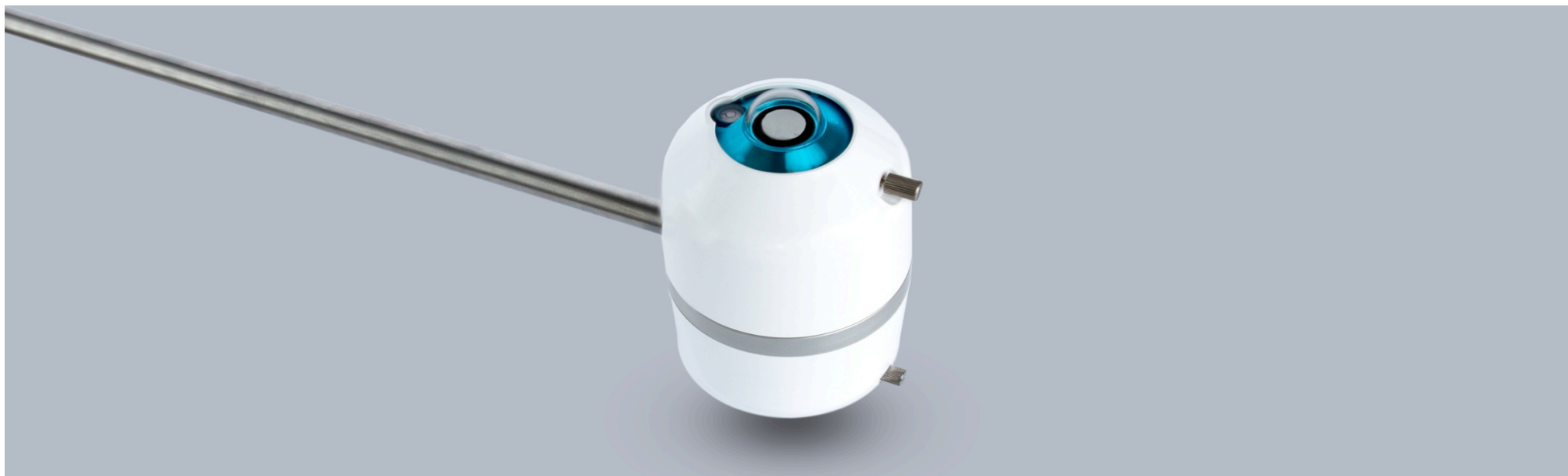


MS-Albedo Quick Start Guide



For all MS-80 / 60 / 40 models


EKO-EU.com
EKO-USA.com
EKO-Asia.com

Outline

Thank you for using EKO Products. For installation of the pyranometers in combination with the MS-Albedo plate the instructions are in the Quick Start Guide.

1. Included items
2. Setup location
3. Assembly

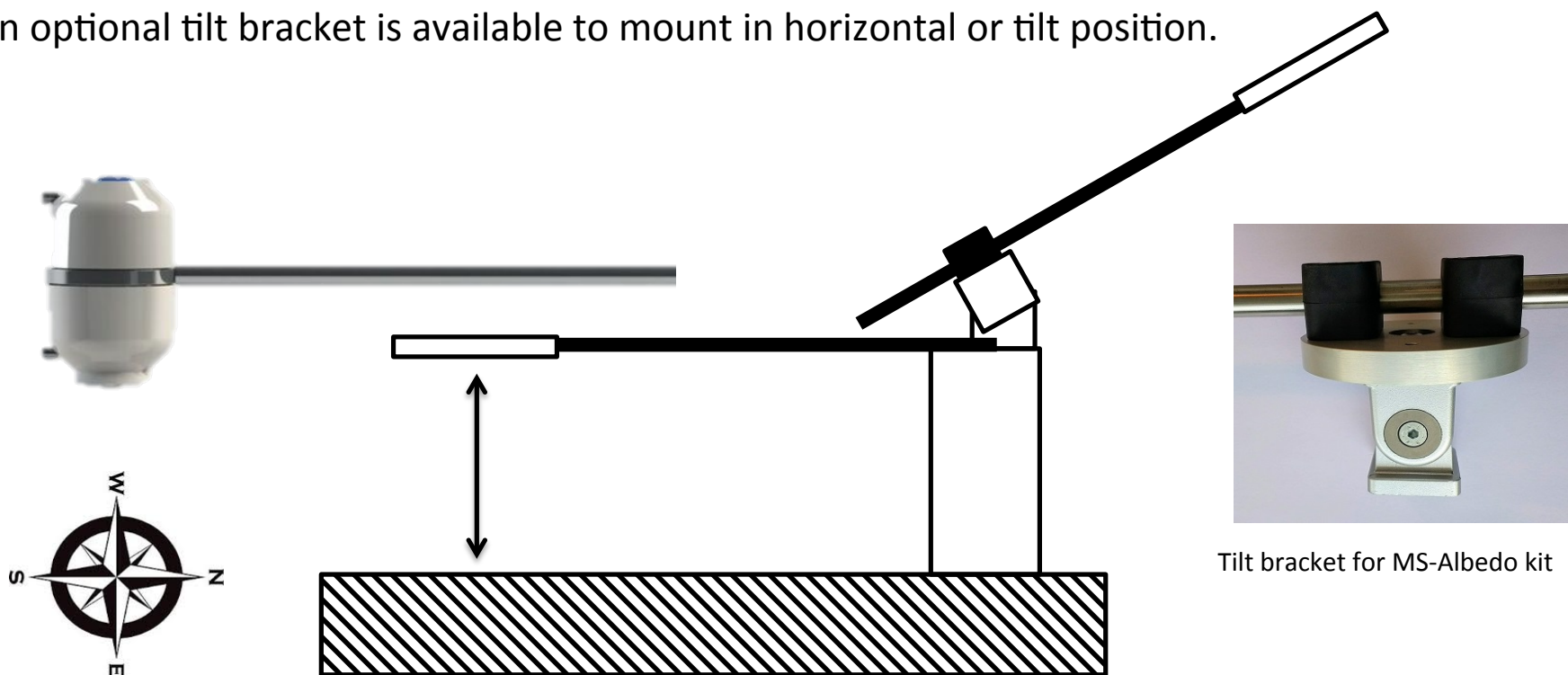
1. Included items

- 1x mounting arm
 - 1x mounting flange for MS-80/60/40
 - Included to the pyranometer box (2x bolts (M5) / 2 x nuts (M5) / 4 x washers (M5))
 - Glare screen (for downward facing sensor)
- 

2. Set-up location

The MS-Albedo configuration can be setup onsite. Use a solid base to mount the arm in a horizontal or tilted position with the arm oriented towards the nearest pole (horizontal position). The optimal height and tilt* position depend on the application.

*An optional tilt bracket is available to mount in horizontal or tilt position.



Tilt bracket for MS-Albedo kit

3. Assembly

1. Attach the albedo arm to a solid base (Pole, frame, table).



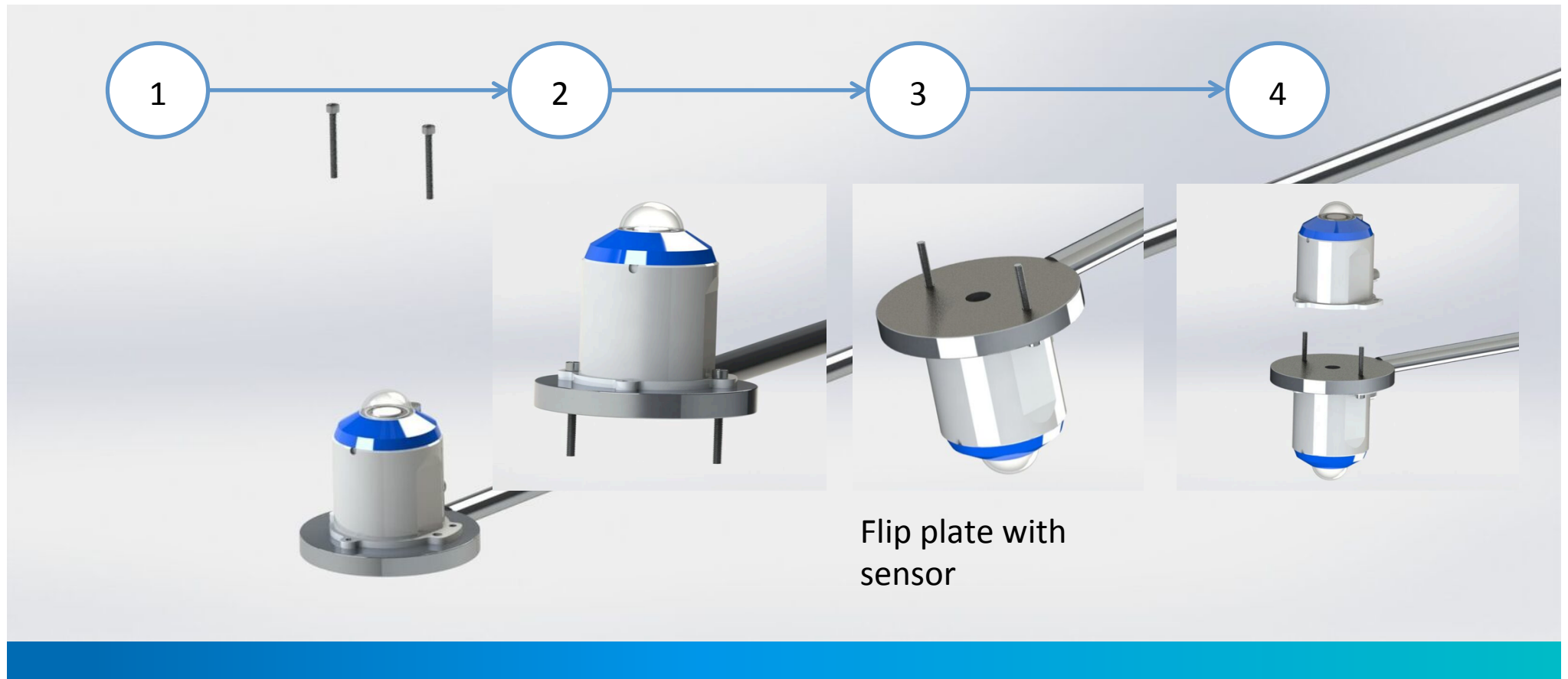
3. Assembly

2. Remove the sunscreen and leveling feet from the 2 pyranometers. The pyranometers can be directly mounted to the plate.



3. Assembly

3. Attach the pyranometers to the plate using the M5 bolts, washers and nuts provided with the pyranometers (step 1-4).



3. Assembly

4. Attach the glare-screen* to the sunscreen.

*Only for the downward facing sensor



1. Insert



2. Put in position



3. Rotate 90 degrees

3. Assembly

5. Attach the two sunscreens.

