

Quick Start Guide

MV-01

Thank you for purchasing EKO products.

This sheet provides the basic instruction for set up. See the Instruction Manual for further detailed information about this product.

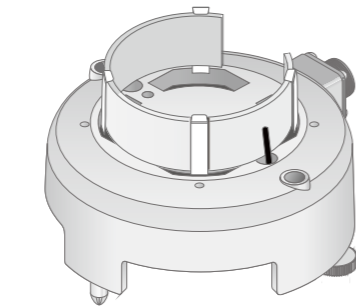
Product Warranty

Please contact EKO Instruments or your distributor for further details. The warranty is only subjected to the instrument which is installed and used in correct manner. EKO will not be reliable for any loss or damage caused from improper installation or use.

Products which can be mounted

This product is an optional product that can be used in combination with the following EKO products. A pyranometer and IR radiometer are sold separately.

	Products		
Pyranometer	MS-80	MS-80A	MS-80M
	MS-60	MS-60A	MS-60M
*IR radiometer	MS-40	MS-40A	MS-40M

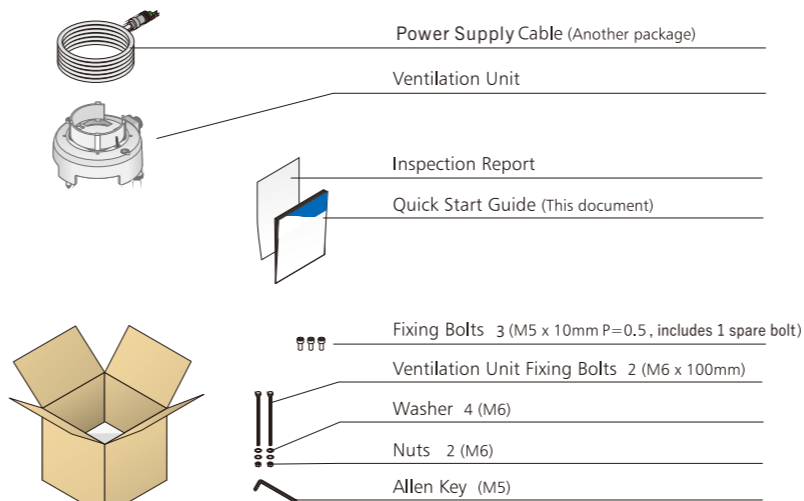


	Dimensions [mm] (W x D x H)	Mass
MV-01	138 x 158 x 120	0.7 kg

*Recommended to use the heater when snowfall or frost occurs only.

1 Package Contents

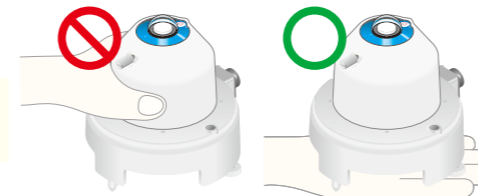
First, please check the package contents. If any part is missing or damaged, please contact EKO.



- Download the manual from EKO website.
- It is recommended to keep the original packaging in case Ventilation Unit is shipped back for repair or parts replacements.

Caution for handling

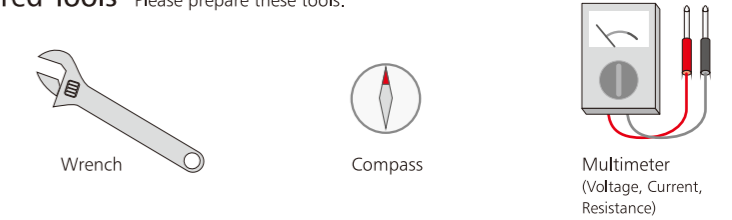
Always hold the pyranometer from the bottom when carrying. Do not hold the sun screen part; sensor unit may drop.



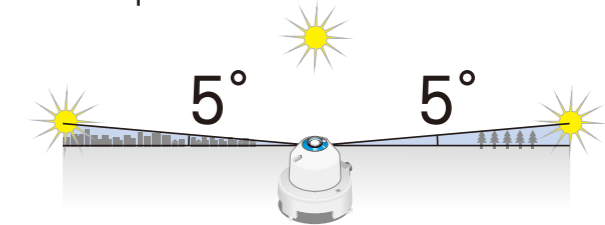
2 Preparation to Install

1 Required Tools

Please prepare these tools.

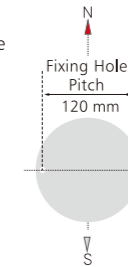


2 Location & Setup Conditions

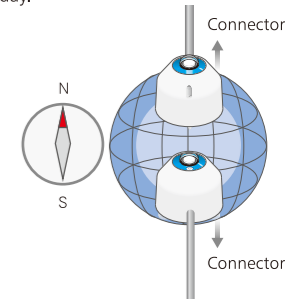


Select a location with free horizon, without any obstructions and light reflections throughout a day.

Fixing Holes on Installation Base



Place the pyranometer with the Cable Connector facing the nearest pole.



3 Installation

Prevent from touching the heater when the heater is in operation. You may get burned for touching the MV-01 when heater is in operation. Do not apply the power supply more than 13.2V. The overcurrent protection device works and the heater stops working.

This manual describes how to attach pyranometer MS-80 to this product.

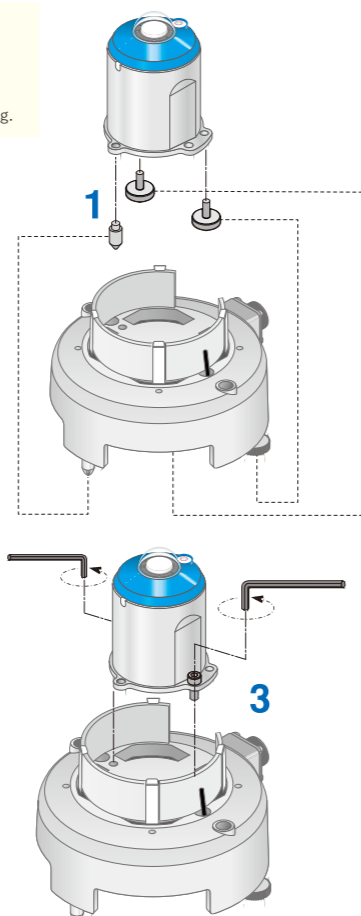
1 Transfer the leveling screws from pyranometer to MV-01 base.

2 Pass the fixing bolt (M5 x10mm) through the fixing hole of pyranometer.

Make sure to use correct screw holes

3 Attach pyranometer to MV-01 base.

Secure to the MV-01 base with the supplied Allen key. Make sure that pyranometer and MV-01 connectors are aligned.



4 Insert Cables

Please make sure there is no looseness.

5 Attach sun screen on the pyranometer

6 For horizontal adjustment use leveling screws.

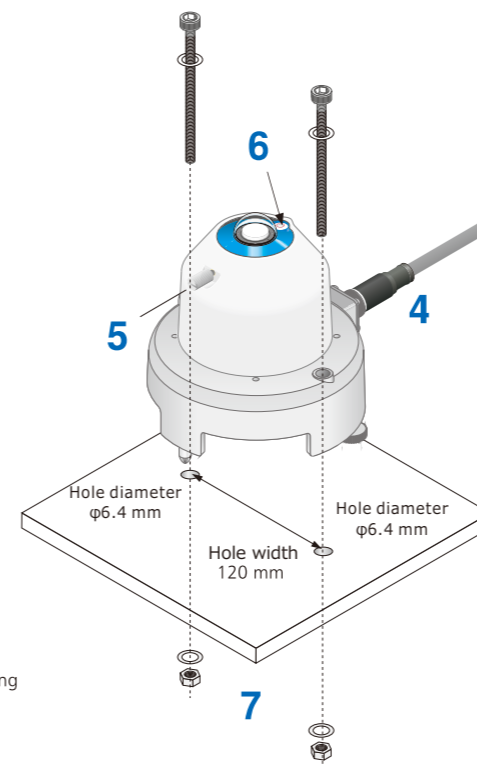


For installation at an inclined surface, it is recommended to level at a horizontal surface first.

Horizontal surface:
Level the pyranometer by adjusting the leveling screws.

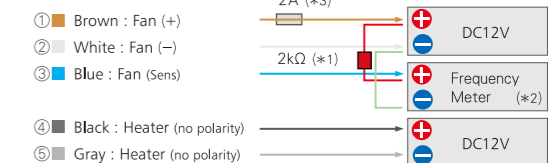
7 Fix on installation base.

Using Fixing Bolts M6 x 100mm



8 Wiring

Please Connect the wire as below.



- *1 : Connect to 12V power supply using a shunt resistor more than 2kΩ
- *2 : Block pulse 90 to 110Hz
- *3 : Connect a fuse (2A) in power supply line for safety.

9 Turn on the power and check if it is working.

Check before switching ON the power supply.

- Supply voltage 12V±10%
- Wire connections
- The fan can rotate freely